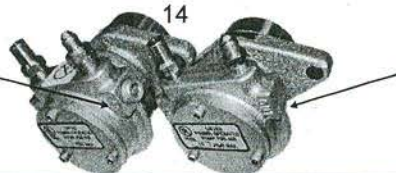


Bumer Plug, Square (Pre Dec 2010) - 140/200H - Item No 20511205  
 Bumer Plug, Square (Pre Dec 2010) - 340H - Item No 20511206

Large Air compressor with 1/4" output port  
 (Pre Sept 11, 2013)

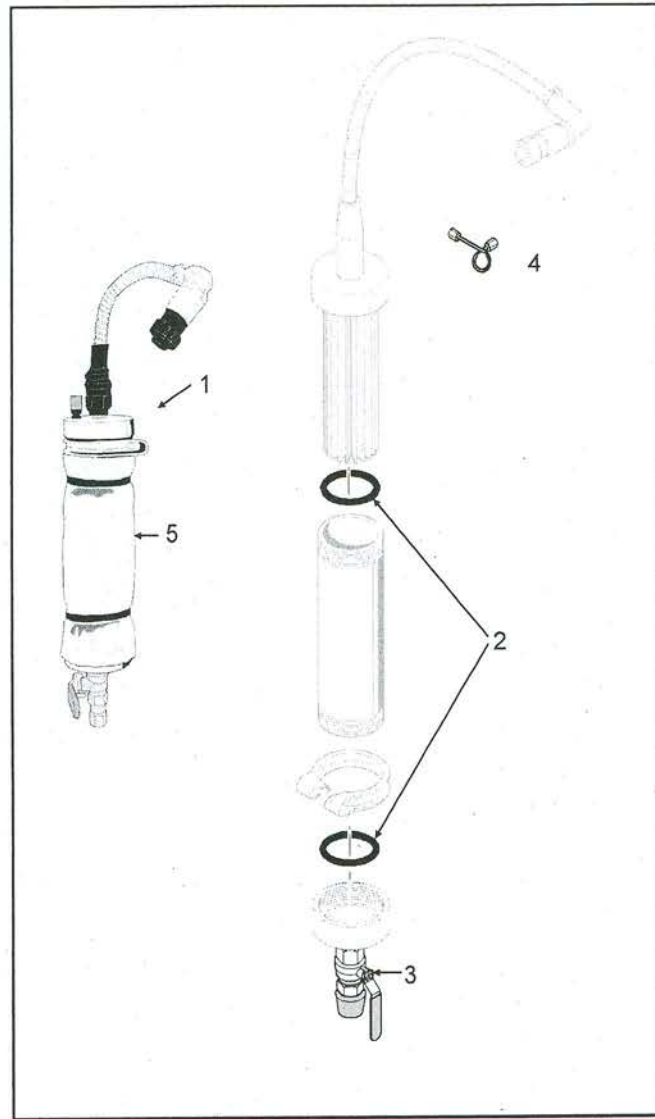
Small Air compressor no output port  
 (Sept 11, 2013 fwd)



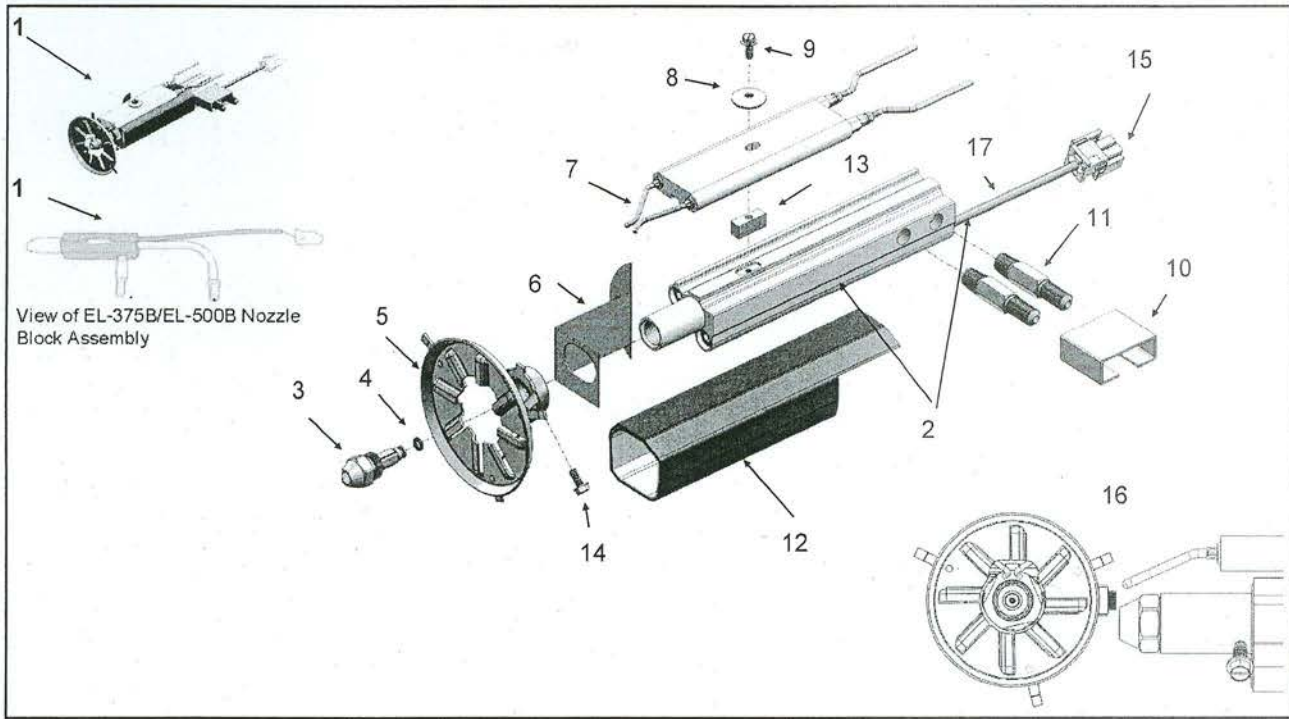
| Ref.# | Part Description                    | 140H | 200H | 340H | 350H | 200B | 375B | 500B | Number   |
|-------|-------------------------------------|------|------|------|------|------|------|------|----------|
| 1     | Bumer - 140H w/Preheater round plug | x    |      |      |      |      |      |      | 04000081 |
| 1     | Bumer - 200H w/Preheater round plug |      | x    |      |      |      |      |      | 04000082 |
| 1     | Bumer - 340H w/Preheater round plug |      |      | x    |      |      |      |      | 04000083 |
| 1     | Bumer - 350H w/Preheater round plug |      |      |      | X    |      |      |      | 04000227 |
| 1     | Bumer - 200B w/Preheater            |      |      |      |      | x    |      |      | 13010101 |
| 1     | Bumer - 375B no Preheater           |      |      |      |      |      | x    |      | 13010100 |
| 1     | Bumer - 500B no Preheater           |      |      |      |      |      |      | x    | 13010102 |
| 2     | Control - Primary, Carlin 30 Second | x    | x    | x    | x    | x    |      |      | 05000135 |
| 2     | Control - Primary, 15 Second        |      |      |      |      |      | x    | x    | 06001027 |
| 3     | Wire Box Cover Assembly             | x    | x    | x    | x    |      |      |      | 14010112 |
| 4     | Wire Box Base Assembly, Round plug  | x    | x    |      |      |      |      |      | 04000106 |
| 4     | Wire Box Base Assembly, Round plug  |      |      | x    | x    |      |      |      | 04000107 |
| 4     | Wire Box Base Assembly              |      |      |      |      | x    | x    | x    | 14010109 |

| BURNER ASSEMBLY |  | * Not Pictured |      | Current Models |      |      |      |      |          | Item |
|-----------------|--|----------------|------|----------------|------|------|------|------|----------|------|
| Ref.#           | Part Description                                   | 140H           | 200H | 340H           | 350H | 200B | 375B | 500B | Number   |      |
| 5               | Preheater Wiring Pigtail (6 pin)                   | x              | x    | x              | x    | x    | x    | x    | 20541310 |      |
| 5               | Preheater Wiring Pigtail (7 pin)                   |                |      |                |      |      | x    | x    | 14010121 |      |
| 6               | Burner cord w/Round plug (12/10 Fwd)               | x              | x    |                |      |      |      |      | 04000111 |      |
| 6               | Burner cord w/Round plug (12/10 Fwd)               |                |      | x              | x    |      |      |      | 04000112 |      |
| 6               | Burner cord w/Sqaure plug                          | x              | x    |                |      |      |      |      | 20511205 |      |
| 6               | Burner cord w/Sqaure plug                          |                |      | x              | x    |      |      |      | 20511206 |      |
| 7               | Detector - Cad Cell                                | x              | x    | x              | x    | x    | x    | x    | 20210110 |      |
| 8               | Transformer - Ignition                             | x              | x    |                | x    | x    |      |      | 20213137 |      |
| 8               | Transformer - Ignition                             |                |      | x              |      |      | x    | x    | 20213145 |      |
| 9               | Spring—Transformer                                 | x              | x    | x              | x    | x    | x    | x    | 20213138 |      |
| 10              | Valve - Solenoid w/Fittings                        | x              | x    | x              | x    | x    | x    | x    | 14010134 |      |
| 11              | O-Ring - Solenoid Valve                            | x              | x    | x              | x    | x    | x    | x    | 20293199 |      |
| 12              | Fitting—Solenoid Valve                             | x              | x    | x              | x    | x    | x    | x    | 20491154 |      |
| 13*             | Nucleus-Solenoid Valve w/Spring                    | x              | x    | x              | x    | x    | x    | x    | 20293198 |      |
| 14              | Air Compressor (Lg prior to 9/11/13)               | x              | x    | x              | x    | x    | x    | x    | 20210111 |      |
| 14              | Air Compressor (Sm beginning 9/11/13)              | x              | x    |                | x    | x    |      |      | 06000807 |      |
| 14              | Air Compressor Kit, (Sm w/ fittings)               | x              | x    |                |      |      |      |      | 05000167 |      |
| 14              | Air Compressor Kit, (Sm w/ fittings)               |                |      |                | x    |      |      |      | 05000168 |      |
| 15              | Filter - Air Compressor                            | x              | x    | x              | x    | x    | x    | x    | 20210112 |      |
| 15              | Filter - Air Compressor (6 Pk)                     | x              | x    | x              | x    | x    | x    | x    | 05000037 |      |
| 16              | Union - 3/16FLx1/4MIP, .0645" (Lg AC)              | x              | x    |                |      | x    |      |      | 14610010 |      |
| 16              | Union - 3/16FLx1/4MIP, .052" (Lg AC)               |                |      | x              | x    |      |      |      | 14610005 |      |
| 16              | Union - 3/16FLx1/4 MIP, .028" (Lg AC)              |                |      |                |      |      | x    | x    | 14610001 |      |
| 16              | Union - 3/16FLx1/8 MIP, .042" (SM AC)              | x              | x    |                |      | x    |      |      | 04000300 |      |
| 16              | Union - 3/16FLx1/8 MIP (SM AC)                     |                |      |                | x    |      |      |      | 06000024 |      |
| 17              | Coupler - Air Comp Filter 1/4" (Lg AC)             | x              | x    | x              | x    | x    | x    | x    | 20411121 |      |
| 17              | Coupler - Air Comp Filter 1/8" (Sm AC)             | x              | x    |                | x    | x    |      |      | 06000794 |      |
| 18              | Vanes - Air Compressor, Lg (4 Pk) prior to 9/11/13 |                |      | x              |      |      | x    | x    | 06000519 |      |
| 18              | Vanes - Air Compressor, Sm (4 Pk) Current          | x              | x    |                | x    | x    |      |      | 06000821 |      |
| 19              | Plate - Carbon End                                 | x              | x    | x              | x    | x    | x    | x    | 20213143 |      |
| 20              | Coupling - Compressor to Burner                    | x              | x    | x              | x    | x    | x    | x    | 20210122 |      |
| 21              | Band - Air, AF                                     | x              | x    |                |      | x    |      |      | 20213132 |      |
| 21              | Band - Air, SF                                     |                |      | x              |      |      | x    | x    | 20213133 |      |
| 21              | Band - Air, Slotted                                |                |      |                | x    |      |      |      | 06000595 |      |
| 22              | Copper Line - S-NB                                 | x              | x    |                | x    | x    |      |      | 05000038 |      |
| 22              | Copper Line - S-NB                                 |                |      | x              |      |      |      |      | 05000039 |      |
| 22              | Copper Line - S-NB                                 |                |      |                |      |      | x    | x    | 05000040 |      |
| 23              | Copper Line - AC-NB                                | x              | x    | x              | x    | x    | x    | x    | 20630115 |      |
| 24              | Nut - Knurled 3/8-24                               | x              | x    | x              | x    | x    | x    | x    | 20410110 |      |
| 25              | Gasket - Burner Klinger                            | x              | x    | x              | x    |      |      |      | 20910103 |      |
| 25              | Gasket - Flange                                    |                |      |                |      | x    | x    | x    | 20210121 |      |
| 26              | Air Tube - Hinged                                  | x              | x    |                |      |      |      |      | 20311116 |      |
| 26              | Air Tube - Hinged, Diameter 4.3                    |                |      | x              | x    |      |      |      | 04000062 |      |
| 26              | Air Tube - Non-Hinged                              |                |      |                |      | x    |      |      | 20210119 |      |
| 26              | Air Tube - Non-Hinged                              |                |      |                |      |      | x    | x    | 20361187 |      |
| 27              | Motor - 1/5HP Burner AF (prior to 9/11/13)         | x              | x    |                | x    | x    |      |      | 20213139 |      |
| 27              | Motor - 1/4HP Burner SF                            |                |      | x              |      |      | x    | x    | 20213147 |      |
| 27              | *Motor - 1/7HP Carlin, AF (current)                | x              | x    |                | x    | x    |      |      | 06000825 |      |
| 28              | Wheel - Burner Blower, AF                          | x              | x    |                | x    | x    |      |      | 20213140 |      |
| 28              | Wheel - Burner Blower, SF                          |                |      | x              |      |      | x    | x    | 20210117 |      |
| 29              | Flange - Burner Sq Plate AF/SF                     | x              | x    | x              | x    | x    | x    | x    | 20213136 |      |
| 30              | Escutcheon Plate (2 hole)                          | x              | x    |                | x    | x    |      |      | 20213148 |      |
| 30              | Escutcheon Plate (1 hole)                          |                |      | x              |      |      | x    | x    | 20213153 |      |
| 31              | * Relay - Burner (500)                             |                |      |                |      |      |      | x    | 06000475 |      |
| 32              | * Flange - 4" Mounting Kit                         |                |      |                |      | x    | x    | x    | 20210120 |      |
| 33              | Fuse, 8 AMP  | x              | x    | x              |      | x    | x    | x    | 20510113 |      |
| 34              | Fuse Holder  | x              | x    | x              |      | x    | x    | x    | 20510112 |      |
| 35              | Screw - Air Compressor Mtng 1/4-20X1               | x              | x    | x              |      | x    | x    | x    | 20410106 |      |

# Preheater Assembly

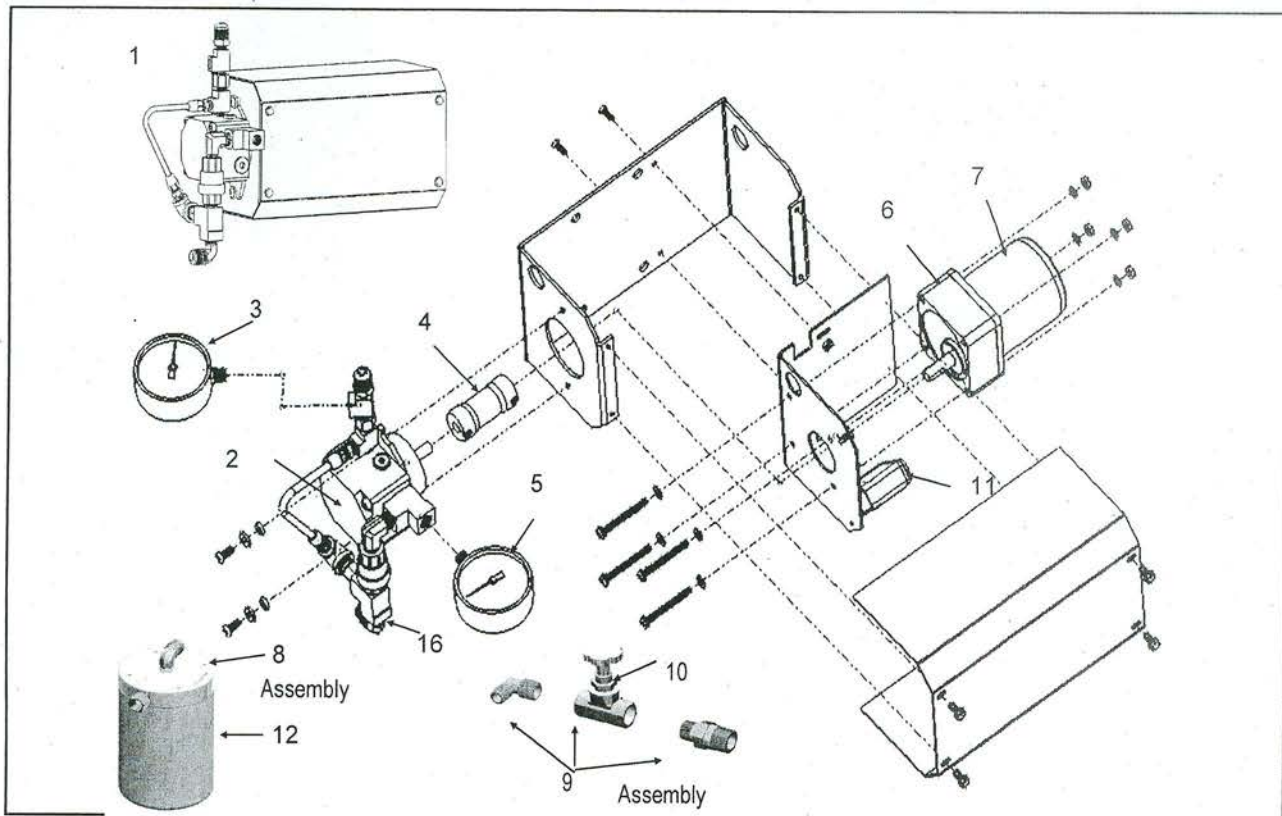


| PREHEATER ASSEMBLY * Not Pictured |                                  | Current Models                                |      |      |      |      |      |      | Item Number |
|-----------------------------------|----------------------------------|---|------|------|------|------|------|------|-------------|
| Ref.#                             | Part Description                 | 140H  | 200H | 340H | 350H | 200B | 375B | 500B |             |
| 1                                 | Preheater Assembly - 140H        | x   |      |      |      |      |      |      | 14040187    |
| 1                                 | Preheater Assembly - 200H        |   | x    |      |      |      |      |      | 14040188    |
| 1                                 | Preheater Assembly - 340H/350H   |   |      | x    | x    |      |      |      | 14040189    |
| 1                                 | Preheater Assembly - 200B        |   |      |      |      | x    |      |      | 14040192    |
| 1                                 | Preheater Assembly - 375B        |   |      |      |      |      | x    |      | 14040193    |
| 1                                 | Preheater Assembly - 500B        |   |      |      |      |      |      | x    | 14040190    |
| 2                                 | Gasket - Preheater 2-1/2 O.D.    | <i>Note: Used on all Models prior to 2004</i> |      |      |      |      |      |      | 20940119    |
| 2                                 | Gasket - Preheater 2-5/8 O.D.    | x   | x    | x    | x    | x    | x    | x    | 20940122    |
| 3                                 | Valve - 1/4 NPT, Shutoff         | x   | x    | x    | x    | x    | x    | x    | 06000074    |
| 4                                 | Copper Line - SV-PH              | x   | x    | x    | x    |      |      |      | 05000044    |
| 4                                 | Copper Line - SV-PH              |   |      |      |      | x    |      |      | 05000045    |
| 5                                 | Insulation - Kit, Preheater Foil | x   | x    |      |      | x    |      |      | 05000046    |
| 5                                 | Insulation - Kit, Preheater Foil |   |      | x    | x    |      |      |      | 05000047    |
| 5                                 | Insulation - Kit, Preheater Foil |   |      |      |      |      | x    | x    | 05000048    |
| 6                                 | *Bolt - Preheater Mntg           | x   | x    |      |      | x    |      |      | 20410120    |
| 6                                 | *Bolt - Preheater Mntg           |   |      | x    |      |      | x    | x    | 20440156    |
| 7                                 | *Valve, Solenoid no fittings     |   |      |      |      |      | x    | x    | 20290197    |



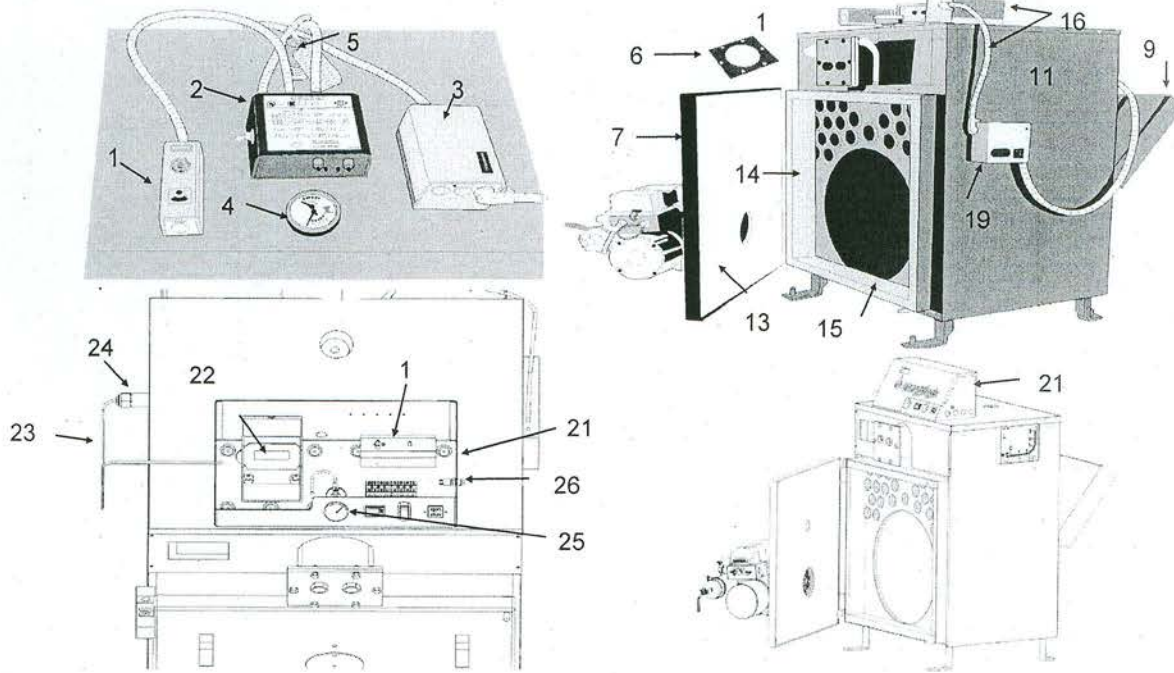
| NOZZLE LINE ASSEMBLY * Not Pictured |   | Current Models |      |      |      |      |      | Item Number |          |
|-------------------------------------|---|----------------|------|------|------|------|------|-------------|----------|
| Ref.#                               | Part Description                            | 140H           | 200H | 340H | 350H | 200B | 375B |             | 500B     |
| 1                                   | Nozzle Line Assembly                        | x              | x    |      |      | x    |      |             | 14010124 |
| 1                                   | Nozzle Line Assembly                        |                |      | x    | x    |      |      |             | 04000230 |
| 1                                   | Nozzle Line Assembly                        |                |      |      |      |      | x    | x           | 14010127 |
| 2                                   | Nozzle Block Assembly, w/ PTC               | x              | x    | x    | x    | x    |      |             | 04000056 |
| 2                                   | Nozzle Block Assembly, w/PTC                |                |      |      |      |      | x    | x           | 04000057 |
| 3                                   | Nozzle - #5                                 | x              | x    |      |      | x    |      |             | 20210123 |
| 3                                   | Nozzle - #5 (50 Pk)                         | x              | x    |      |      | x    |      |             | 14013152 |
| 3                                   | Nozzle - #28                                |                |      | x    | x    |      | x    | x           | 20210124 |
| 3                                   | Nozzle - #28 (50 Pk)                        |                |      | x    | x    |      | x    | x           | 14013151 |
| 4                                   | O-Ring - Nozzle                             | x              | x    | x    | x    | x    | x    | x           | 20213152 |
| 5                                   | Head - Flame Retention                      | x              | x    |      |      | x    |      |             | 04000280 |
| 5                                   | Head - Flame Retention                      |                |      | x    | x    |      | x    | x           | 04000260 |
| 6                                   | Air Vane                                    | x              | x    | x    | x    | x    |      |             | 20311126 |
| 6                                   | Air Vane                                    |                |      |      |      |      | x    | x           | 20311121 |
| 7                                   | Electrode - single bend (5 Pk)              | x              | x    | x    | x    | x    |      |             | 05000049 |
| 7                                   | Electrode - single bend (beginning 9/11/13) | x              | x    | x    | x    | x    |      |             | 06000593 |
| 7                                   | Electrode - single bend (beginning 9/11/13) |                |      |      |      |      | x    | x           | 06000741 |
| 8                                   | Washer - 8 x 3/4, Electrode                 | x              | x    | x    | x    | x    | x    | x           | 20410115 |
| 9                                   | Screw - 8-32 x 7/8 Hex                      | x              | x    | x    | x    | x    | x    | x           | 20410114 |
| 10                                  | Bracket-Nozzle Block Centering              | x              | x    | x    | x    | x    |      |             | 20311117 |
| 11                                  | Fitting - Oil/Air Bulkhead                  | x              | x    | x    | x    | x    | x    | x           | 20411122 |
| 12                                  | Sleevings                                   | x              | x    | x    | x    | x    |      |             | 20990149 |
| 13                                  | Key - Mount, Extr Nozzle Block              | x              | x    | x    | x    | x    |      |             | 20311130 |
| 14                                  | Screw - 8-32 x 3/8                          | x              | x    | x    | x    | x    | x    | x           | 20410117 |
| 15                                  | PTC Assembly, Extruded Block 8.7mm          | x              | x    | x    | x    | x    |      |             | 14010125 |
| 15                                  | PTC Assembly, Hex Block 6.5mm               |                |      |      |      |      | x    | x           | 14013211 |
| 16                                  | Kit, electrode&FRH 140/200H,200B            | x              | x    |      |      | x    |      |             | 05000162 |
| 16                                  | Kit, electrode&FRH 340H                     |                |      | x    | x    |      |      |             | 05000163 |
| 16                                  | Kit, electrode&FRH 375, 500                 |                |      |      |      |      | x    | x           | 05000164 |
| 17                                  | Nozzle Block Pigtail Assembly, w/PTC        | x              | x    | x    | x    | x    |      |             | 14010126 |

# Fuel Pump Assembly



| PUMP ASSEMBLY |                                       | * Not Pictured |      |      |      |      |      |      |             |
|---------------|---------------------------------------|----------------|------|------|------|------|------|------|-------------|
| Ref.#         | Part Description                      | 140H           | 200H | 340H | 350H | 200B | 375B | 500B | Item Number |
| 1             | Pump Assembly, 140H                   | x              |      |      |      |      |      |      | 14020300    |
| 1             | Pump Assembly, 200H                   |                | x    |      |      |      |      |      | 14020301    |
| 1             | Pump Assembly, 340H                   |                |      | x    |      |      |      |      | 14020302    |
| 1             | Pump Assembly, 350H                   |                |      |      | x    |      |      |      | 04000289    |
| 1             | Pump Assembly, 200B                   |                |      |      |      | x    |      |      | 14020304    |
| 1             | Pump Assembly, 375B                   |                |      |      |      |      | x    |      | 14020305    |
| 1             | Pump Assembly, 500B                   |                |      |      |      |      |      | x    | 14020306    |
| 2             | Pump w/Fittings                       | x              | x    | x    | x    | x    | x    |      | 14020155    |
| 2             | Pump w/Fittings & solenoid valve      |                |      |      |      |      |      | x    | 04000055    |
| 3             | Gauge - 0-160 PSI Pressure, 1/8"      | x              | x    | x    | x    | x    | x    | x    | 20270183    |
| 4             | Coupling - Pump to Motor              | x              | x    | x    | x    | x    |      |      | 20220158    |
| 5             | Gauge - Vac/Pressure Combo 1/4"       | x              | x    | x    | x    | x    | x    | x    | 20270188    |
| 6             | Motor w/Gear Box, 140H                | x              |      |      |      |      |      |      | 05000155    |
| 6             | Motor w/Gear Box, 200H                |                | x    |      |      |      |      |      | 05000156    |
| 6             | Motor w/Gear Box, 340H                |                |      | x    |      |      |      |      | 05000157    |
| 6             | Motor w/Gear Box, 350H                |                |      |      | x    |      |      |      | 05000158    |
| 6             | Gear Box, Oriental 3GN3KA             |                |      |      |      |      | x    |      | 20220195    |
| 6             | Gear Box, Oriental 3GN6KA,            |                |      |      |      | x    |      |      | 20220161    |
| 6             | Gear Box, Oriental 3GN9KA             |                |      |      |      |      |      | x    | 20220156    |
| 7             | Motor w/Capacitor 3IK15GN-AWU         |                |      |      |      |      | x    | x    | 20220155    |
| 8             | Filter Head Assembly w/Filter         | x              | x    | x    | x    | x    | x    | x    | 04000068    |
| 8             | Filter Head Assembly w/o Filter       | x              | x    | x    | x    | x    | x    | x    | 04000189    |
| 9             | Firestop Valve Assembly               | x              | x    | x    | x    | x    | x    | x    | 04000067    |
| 10            | Firestop Valve                        | x              | x    | x    | x    | x    | x    | x    | 20270186    |
| 11            | Capacitor (Oriental motor only)       |                |      |      |      |      | x    | x    | 20223198    |
| 12            | Filter - SS - Spin-On, 5 in.          | x              | x    | x    | x    | x    | x    | x    | 20270185    |
| 13            | *Filter - SS Spin-On, 5 in. (12 Pack) | x              | x    | x    | x    | x    | x    | x    | 05000052    |
| 14            | *Filter - SS - Spin-On, 8 in.         | x              | x    | x    | x    | x    | x    | x    | 20203106    |
| 15            | *Solenoid Valve (no fittings)         |                |      |      |      |      | x    | x    | 20290197    |
| 16            | Valve, 1/4" Check                     | x              | x    | x    | x    | x    | x    | x    | 20220153    |
| 17            | *Valve, Relief 50PSI                  | x              | x    | x    | x    | x    | x    | x    | 20240172    |
| 18            | *O-ring, Danfoss Pump                 | x              | x    | x    | x    | x    | x    |      | 20923152    |
| 19            | *Motor/Gearbox/Coupling/Housing Kit   | x              |      |      |      |      |      |      | 04000293    |
| 19            | *Motor/Gearbox/Coupling/Housing Kit   |                | x    |      |      |      |      |      | 04000294    |
| 19            | *Motor/Gearbox/Pump Housing Kit       |                |      | x    |      |      |      |      | 04000295    |
| 20            | *Adhesive/Gasket Sealant #2           | x              | x    | x    | x    | x    | x    | x    | 30963113    |

# Boiler Vessel Assembly & Controls



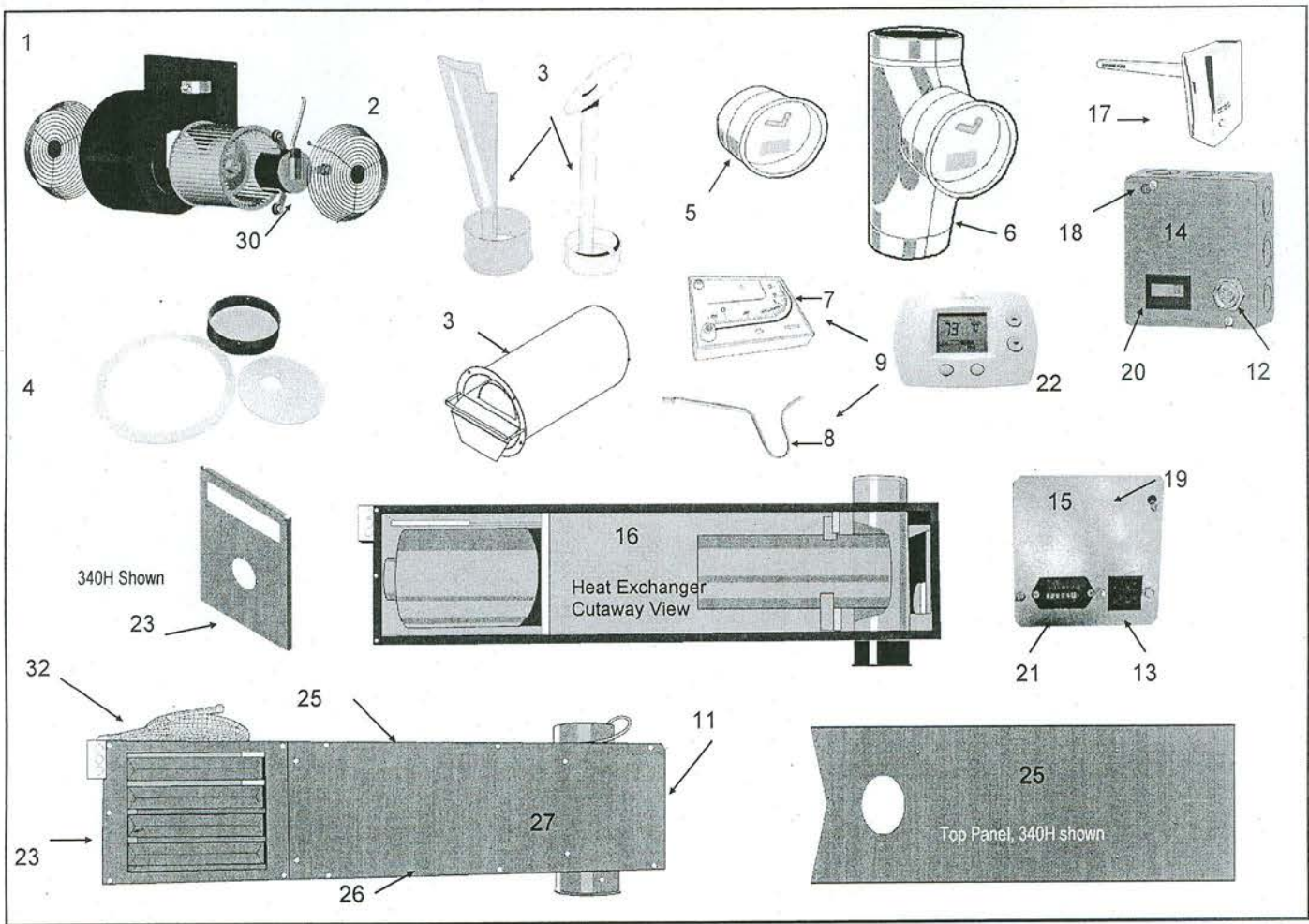
Boiler Vessel w/Controls

| BOILER ASSEMBLY * Not Pictured |   | 200B | 375B | 500B | Item Number | Qty |
|--------------------------------|---|------|------|------|-------------|-----|
| 1                              | Aquastat—High Limit Temp Cut-off                | x    | x    | x    | 06000134    | 1   |
| 2                              | Control—Low Water                               | x    | x    | x    | 20263180    | 1   |
| 3                              | Aquastat—Triple                                 | x    | x    | x    | 20263179    | 1   |
| 4                              | Gauge - Boiler Temp/Pressure (°F/°C)            | x    | x    | x    | 20270302    | 1   |
| 5                              | Valve - Pressure Relief, 30 PSI                 | x    | x    | x    | 20663146    | 1   |
| 6                              | Gasket - Boiler Coil                            | x    | x    | x    | 20363219    | 1   |
| 7                              | Door w/ Insulation                              | x    | x    | x    | 20363228    | 1   |
| 9                              | Gasket Rope - Breech 1/2"                       | x    | x    | x    | 05000055    | 1   |
| 10                             | Coil Plate                                      | x    | x    | x    | 20363218    | 1   |
| 12                             | *Grease - Heat Conductive                       | x    | x    | x    | 20260190    | 1   |
| 13                             | Insulation - Door 26 1/2" x 26 3/4"             | x    | x    | x    | 20963132    | 1   |
| 14                             | Insulation-Left/Right-24 1/8" x 4" x 1 1/4"     |      |      | x    | 20963142    | 1   |
| 14                             | Insulation - Left/Right - 24 1/8" x 3" x 1 1/4" | x    | x    |      | 20963130    | 1   |
| 15                             | Insulation - Top/Bottom - 26 1/4" x 3" x 1"     | x    | x    |      | 20963131    | 1   |
| 15                             | Insulation-Top/Bottom-26 1/4" x 4" x 1"         |      |      | x    | 20963143    | 1   |
| 16                             | Wire Harness Assembly - Boiler                  | x    | x    | x    | 14010117    | 1   |
| 17                             | *High Temp Adhesive                             | x    | x    | x    | 30990103    | 1   |
| 18                             | *Boiler Burner Plug Assembly                    | x    | x    | x    | 14010132    | 1   |
| 19                             | Wiring Box Assembly                             | x    | x    | x    | 14030179    | 1   |
| 20                             | *Baffle, Plate                                  |      | x    | x    | 06000290    | 1   |
| 21                             | Boiler Control Box Assembly                     | x    | x    | x    | 04000312    | 1   |
| 22                             | Control, Aquasmart                              | x    | x    | x    | 06000818    | 1   |
| 23                             | Sensor, Aquasmart                               | x    | x    | x    | 06000819    | 1   |
| 24                             | Thermowell, Aquasmart                           | x    | x    | x    | 06000864    | 1   |
| 25                             | Gauge - Pressure, Aquasmart                     | x    | x    | x    | 06000835    | 1   |
| 26                             | *Fuse—Fast Acting, 20A, 250V                    | x    | x    | x    | 06000837    | 1   |

≈ Wire harness includes items 1,2,3,19

Special Note: 495B boiler— used same burner/preheater/fuel pump/controls as the 500B nical Support for price & availability of unique parts (insulation).

# Cabinet Assembly



| CABINET ASSEMBLY |   | * Not Pictured |      |      |      |      |      |      |             | Item |
|------------------|---|----------------|------|------|------|------|------|------|-------------|------|
| Ref.#            | Part Description                              | 140H           | 200H | 340H | 350H | 200B | 375B | 500B | Number      |      |
| 1                | Blower - Assembly 1/3HP, 140H                 | x              |      |      |      |      |      |      | 13031001    |      |
| 1                | Blower - Assembly 1/2 HP, 200H                |                | x    |      |      |      |      |      | 13031002    |      |
| 1                | Blower - Assembly 3/4 HP, 340H                |                |      | x    |      |      |      |      | 13031003    |      |
| 1                | Blower - Assembly 1HP, 350H                   |                |      |      | x    |      |      |      | 04000229    |      |
| 1                | Wheel - Blower 9 inch OD, 140H                | x              |      |      |      |      |      |      | 06000039    |      |
| 1                | Wheel - Blower 10 inch OD, 200H/340H          |                | x    | x    |      |      |      |      | 20200200    |      |
| 1                | Wheel - Blower 12.5 inch OD, 350H             |                |      |      | x    |      |      |      | 06000592    |      |
| 2                | Guard - Blower Fan                            | x              | x    | x    | x    |      |      |      | 20303110    |      |
| 3                | Baffle w/ Drip Cap, 1 Piece 140/200           | x              | x    |      |      |      |      |      | 20333158    |      |
| 3                | Baffle w/ Drip Cap, 1 Piece 340 only          |                |      | x    |      |      |      |      | 20331136    |      |
| 3                | Baffle Assembly 350 only                      |                |      |      | x    |      |      |      | 04000219    |      |
| 3                | Baffle Assembly 350 Canadian only             |                |      |      | x    |      |      |      | 04000220    |      |
| 4                | * Drip Cap with gasket, no baffle             |                |      |      | x    |      |      |      | 04000218    |      |
| 4                | Gasket - baffle                               |                |      |      | x    |      |      |      | 06000584    |      |
| 4                | *Gasket - Drip Cap                            | x              | x    | x    | x    |      |      |      | 20933118    |      |
| 5                | Damper - 7 Inch Barometric                    | x              | x    | x    | x    | x    | x    |      | 20770110    |      |
| 5                | Damper - 7 Inch Barometric, Stainless Steel   | x              | x    | x    | x    | x    | x    |      | 20770110-SS |      |
| 5                | Damper - 9 Inch Barometric                    |                |      |      |      |      |      | x    | 20770112    |      |
| 5                | Damper - 8 Inch Barometric, DW T              | x              | x    | x    |      | x    | x    |      | 20770109    |      |
| 6                | Tee - Barometric & Damper 8", Stainless Steel | x              | x    | x    | x    | x    | x    |      | 04000045    |      |
| 6                | Tee - Barometric & Damper 10"                 |                |      |      |      |      |      | x    | 14070199    |      |
| 7                | Gauge - Draft (Manometer)                     | x              | x    | x    | x    | x    | x    | x    | 20270184    |      |
| 8                | Probe-Draft Ga, Tube/Cnctr                    | x              | x    | x    | x    | x    | x    | x    | 14003110    |      |
| 9                | Draft Gauge Assembly                          | x              | x    | x    | x    | x    | x    | x    | 14070198    |      |
| 10               | * Oil - Draft Gauge                           | x              | x    | x    | x    | x    | x    | x    | 20273189    |      |

| CABINET ASSEMBLY |  | * Not Pictured |      |      |      |      |      |      | Current Models |  |  |  |  |          |        | Item |
|------------------|--|----------------|------|------|------|------|------|------|----------------|--|--|--|--|----------|--------|------|
| Item             | Part Description                           | 140H           | 200H | 340H | 350H | 200B | 375B | 500B |                |  |  |  |  |          | Number |      |
| 11               | Cabinet Assembly w/harness, serialized     |                |      | x    |      |      |      |      |                |  |  |  |  | 0400089  |        |      |
| 11               | Cabinet Assembly                           |                |      |      | x    |      |      |      |                |  |  |  |  | 04000224 |        |      |
| 12               | Receptacle Rnd - Burner Wiring (12/10 Fwd) | x              | x    | x    | x    |      |      |      |                |  |  |  |  | 06000221 |        |      |
| 13               | Receptacle Square - Burner Wiring          |                |      |      |      | x    | x    | x    |                |  |  |  |  | 20530138 |        |      |
| 14               | Wiring Box Asmbly - Rnd Plug (12/10 Fwd)   | x              | x    | x    | x    |      |      |      |                |  |  |  |  | 04000108 |        |      |
| 15               | Wiring Box Assembly - Square Plug          | x              | x    | x    |      |      |      |      |                |  |  |  |  | 14030160 |        |      |
| 16               | Heat Exchanger Assembly w/Drip Cap         | x              |      |      |      |      |      |      |                |  |  |  |  | 05000065 |        |      |
| 16               | Heat Exchanger Assembly w/Drip Cap         |                | x    |      |      |      |      |      |                |  |  |  |  | 05000066 |        |      |
| 17               | Switch - Fan/Limit, 11 Inch                | x              | x    | x    | x    |      |      |      |                |  |  |  |  | 20230165 |        |      |
| 18               | Cover Plate - Wiring Box, Rnd Plug         | x              | x    | x    |      | x    | x    | x    |                |  |  |  |  | 06000216 |        |      |
| 19               | Cover - Wiring Box, Square Plug            | x              | x    | x    | x    | x    | x    | x    |                |  |  |  |  | 14033208 |        |      |
| 20               | Hour Meter - Digital                       | x              | x    | x    | x    | x    | x    | x    |                |  |  |  |  | 06000224 |        |      |
| 21               | Hour Meter - Analog                        | x              | x    | x    |      | x    | x    | x    |                |  |  |  |  | 20230166 |        |      |
| 22               | Thermostat - Wall, Programmable            | x              | x    | x    | x    | x    | x    | x    |                |  |  |  |  | 20230178 |        |      |
| 23               | * Panel - Cabinet, Burner                  | x              | x    |      |      |      |      |      |                |  |  |  |  | 20331150 |        |      |
| 23               | Panel - Cabinet, Burner, 340H              |                |      | x    |      |      |      |      |                |  |  |  |  | 20331153 |        |      |
| 23               | * Panel - Cabinet, Burner, 350H            |                |      |      | x    |      |      |      |                |  |  |  |  | 06000572 |        |      |
| 24               | * Panel - Cabinet, Filler                  | x              | x    |      | x    |      |      |      |                |  |  |  |  | 20331146 |        |      |
| 24               | * Panel - Cabinet, Filler                  |                |      | x    |      |      |      |      |                |  |  |  |  | 20233171 |        |      |
| 25               | * Panel - Cabinet, Top                     | x              |      |      |      |      |      |      |                |  |  |  |  | 20331148 |        |      |
| 25               | * Panel - Cabinet, Top                     |                | x    |      |      |      |      |      |                |  |  |  |  | 20331156 |        |      |
| 25               | * Panel - Cap, Top                         |                |      | x    |      |      |      |      |                |  |  |  |  | 20331147 |        |      |
| 25               | * Panel - Cap, Top/Bottom                  |                |      |      | x    |      |      |      |                |  |  |  |  | 06000575 |        |      |
| 26               | * Panel - Cabinet, Bottom                  | x              |      |      |      |      |      |      |                |  |  |  |  | 20331152 |        |      |
| 26               | * Panel - Cabinet, Bottom                  |                | x    |      |      |      |      |      |                |  |  |  |  | 20331155 |        |      |
| 26               | * Panel - Cabinet, Bottom                  |                |      | x    |      |      |      |      |                |  |  |  |  | 20331145 |        |      |
| 28               | * Panel - Cabinet, Side                    | x              |      |      |      |      |      |      |                |  |  |  |  | 20331144 |        |      |
| 28               | * Panel - Cabinet, Side                    |                | x    |      |      |      |      |      |                |  |  |  |  | 20331154 |        |      |
| 28               | * Panel - Cabinet, Left Side               |                |      | x    |      |      |      |      |                |  |  |  |  | 20331149 |        |      |
| 28               | * Panel - Cabinet, Right Side              |                |      | x    |      |      |      |      |                |  |  |  |  | 20331151 |        |      |
| 29               | *Panel - Cabinet, End "V"                  |                |      | x    |      |      |      |      |                |  |  |  |  | 20331198 |        |      |
| 30               | * Motor - 1/2 HP Blower w/capacitor        | x              | x    |      |      |      |      |      |                |  |  |  |  | 05000152 |        |      |
| 30               | * Motor - 3/4 HP Blower w/capacitor        |                |      | x    |      |      |      |      |                |  |  |  |  | 05000153 |        |      |
| 30               | * Motor - 1 HP Blower w/capacitor (GE)     |                |      |      | x    |      |      |      |                |  |  |  |  | 05000154 |        |      |
| 31               | *Capacitor - 7mfd, 1/3 HP Blower           | x              |      |      |      |      |      |      |                |  |  |  |  | 20231171 |        |      |
| 31               | *Capacitor - 10mfd, 1/2 HP Blower          |                | x    |      |      |      |      |      |                |  |  |  |  | 20231172 |        |      |
| 31               | *Capacitor - 15mfd, 3/4 HP Blower          |                |      | x    |      |      |      |      |                |  |  |  |  | 20231173 |        |      |
| 31               | *Capacitor - 30mfd, Blower (Marathon)      |                |      |      | x    |      |      |      |                |  |  |  |  | 06000634 |        |      |
| 31               | *Capacitor - 20mfd, Blower (GE)            |                |      |      | x    |      |      |      |                |  |  |  |  | 06000636 |        |      |
| 32               | *Wire Harness w/Round Plug (12/10 Fwd)     | x              | x    |      | x    |      |      |      |                |  |  |  |  | 04000071 |        |      |
| 32               | *Wire Harness w/Round Plug (12/10 Fwd)     |                |      | x    |      |      |      |      |                |  |  |  |  | 04000072 |        |      |
| 33               | *T/Stat Wire Assembly                      | x              | x    | x    | x    | x    | x    | x    |                |  |  |  |  | 20511311 |        |      |
| 34               | *Gasket, ERU Cover                         |                |      | x    |      |      |      |      |                |  |  |  |  | 05000068 |        |      |
| 35               | *Blower Motor Mount Replacement Kit        |                | x    | x    |      |      |      |      |                |  |  |  |  | 05000159 |        |      |
| 35               | *Blower Motor Mount Replacement Kit        |                |      |      | x    |      |      |      |                |  |  |  |  | 06000633 |        |      |
| 35               | *Blower Motor Mount Replacement Kit        | x              |      |      |      |      |      |      |                |  |  |  |  | 05000191 |        |      |